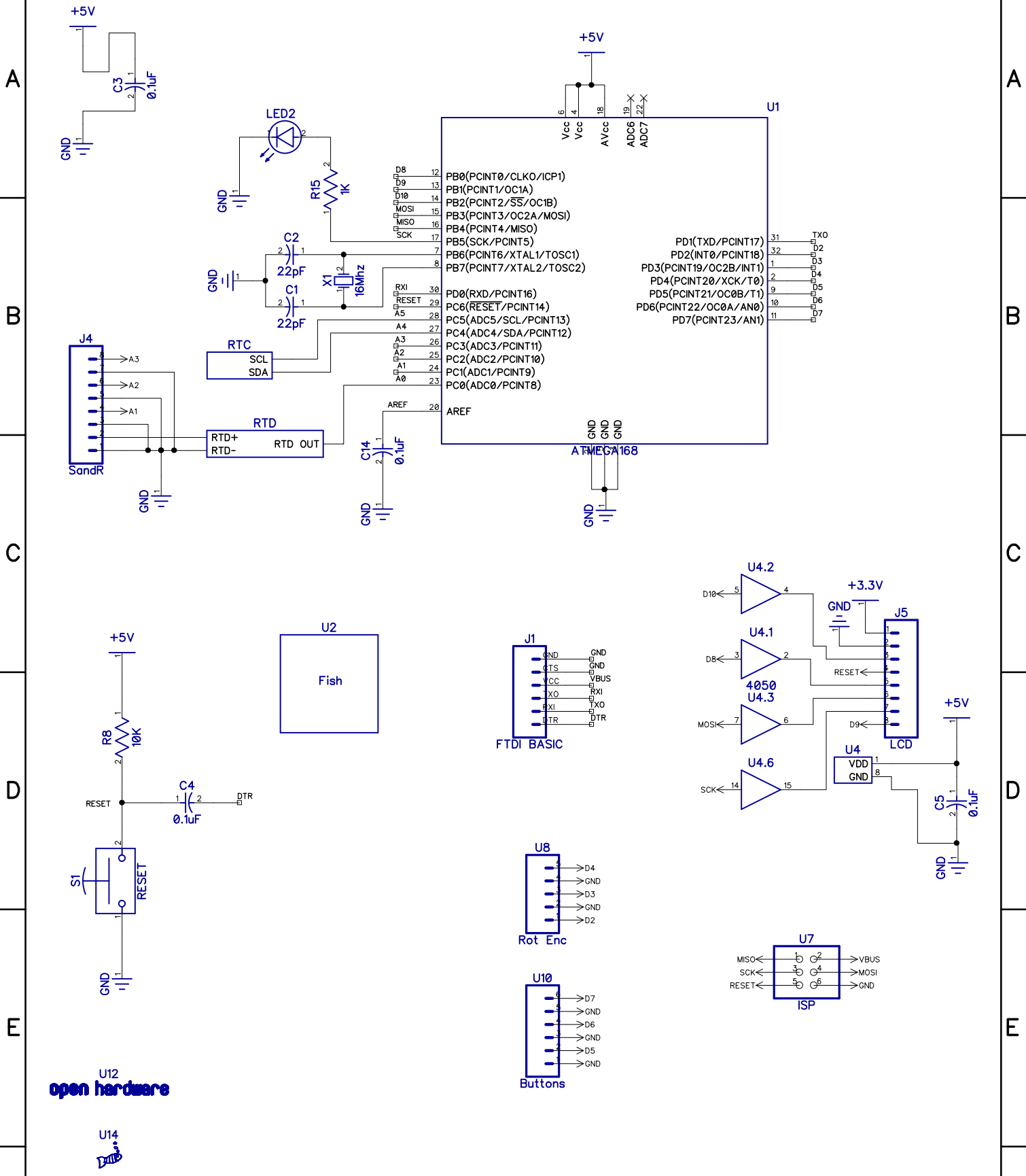


1	2	3	4
RevNo	Revision note	Date	Signature
			Checked



U12  
open hardware

U14

Itemref	Quantity	PiDuino			Article No./Reference	
Designed by David Banks	Checked by	Approved by - date - 00/00/00	Gaggiapid	Date 00/00/00	Scale 1:1	
				Edition 0	Sheet 1/1	

1	2	3	4
RevNo	Revision note	Date	Signature
			Checked

A

A

B

B

C

C

D

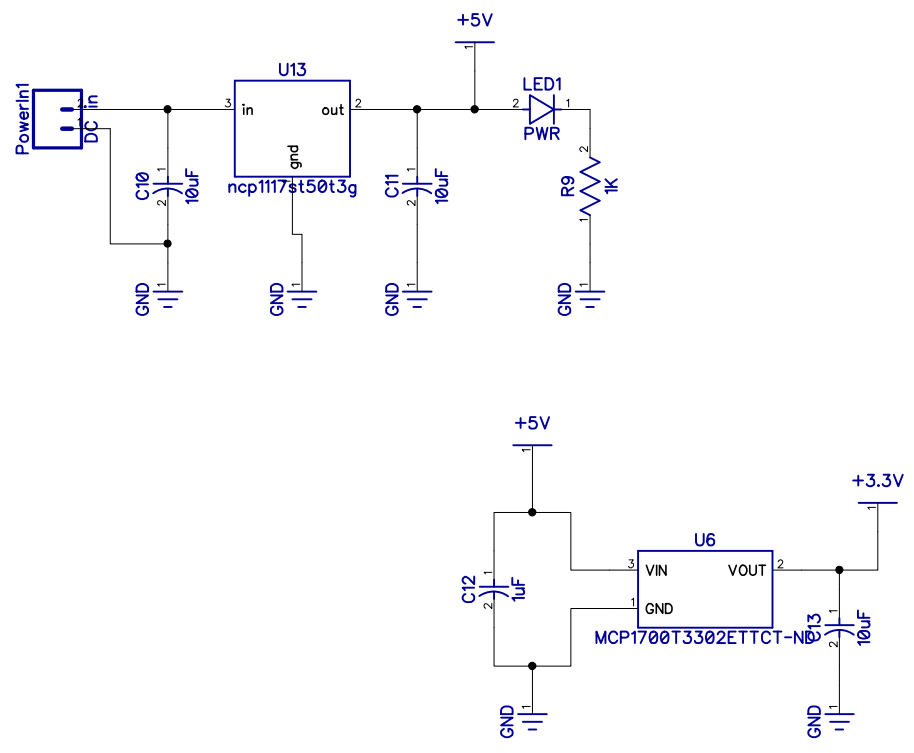
D

E

E

F

F



Itemref	Quantity	PIDuino Power		Article No./Reference	
Designed by David Banks	Checked by	Approved by - date - 00/00/00	Gaggiapid	Date 00/00/00	Scale 1:1
			Edition 0		Sheet 1/1

1	2	3	4
RevNo	Revision note	Date	Signature
			Checked

A

A

B

B

C

C

D

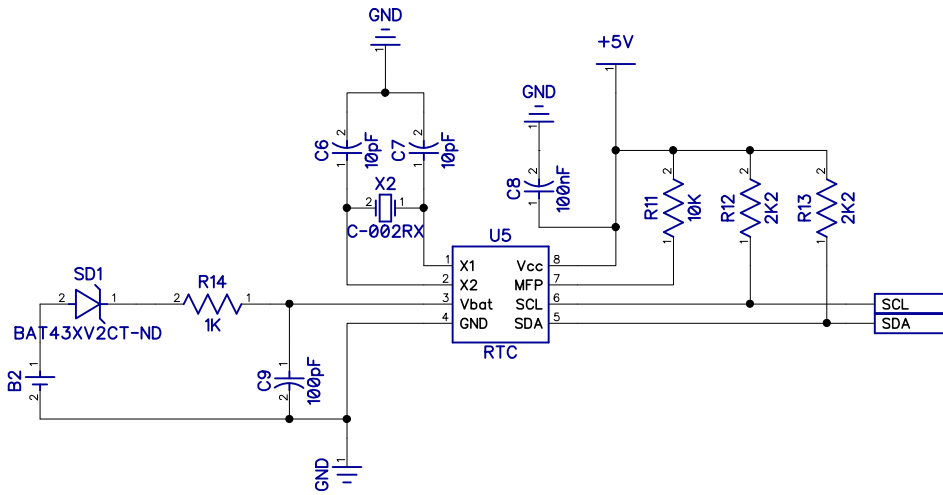
D

E

E

F

F



Itemref	Quantity	PIDuino - RTC		Article No./Reference	
Designed by David Banks	Checked by	Approved by - date - 00/00/00	Gaggiapid	Date 00/00/00	Scale 1:1
				Edition 0	Sheet 1/1

1

2

3

4

1	2	3	4
RevNo	Revision note	Date	Signature Checked

A

B

C

D

E

F

A

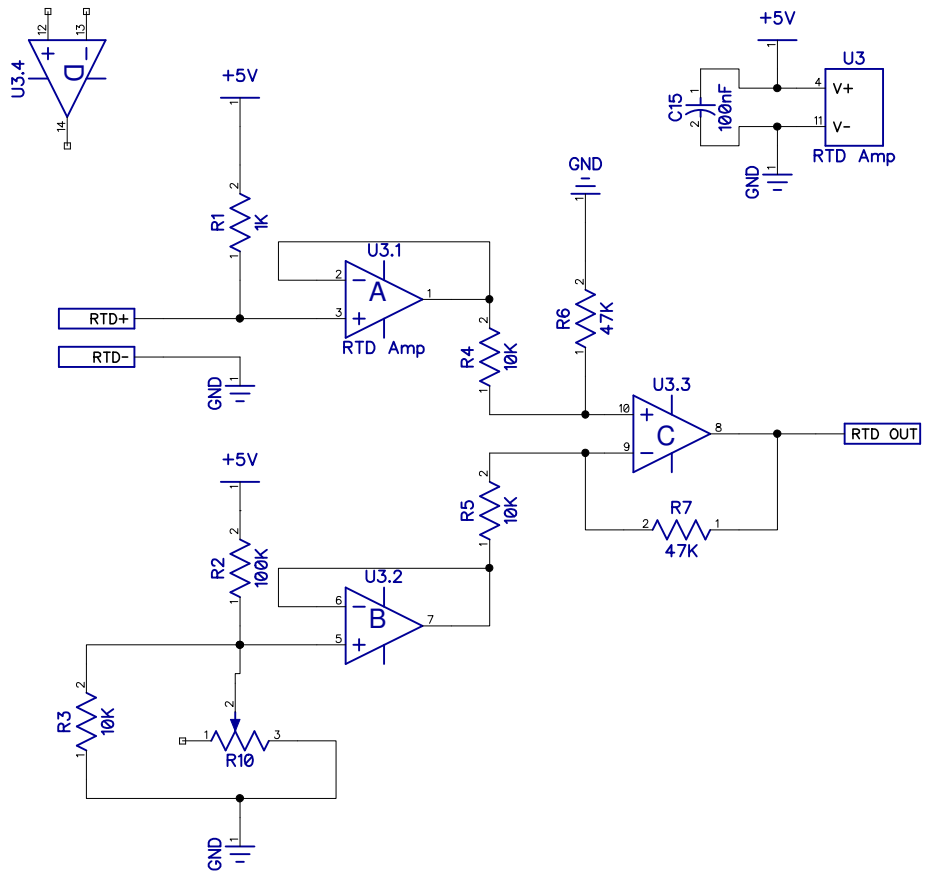
B

C

D

E

F



Itemref	Quantity	PIDuino - RTD100		Article No./Reference	
Designed by David Banks	Checked by	Approved by - date - 00/00/00	Gaggiapid	Date 00/00/00	Scale 1:1
			Edition 0		Sheet 1/1